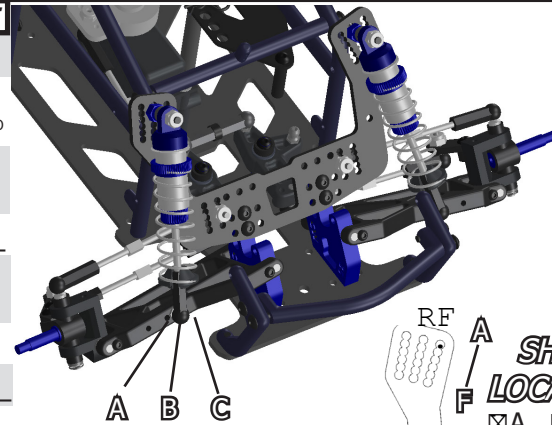


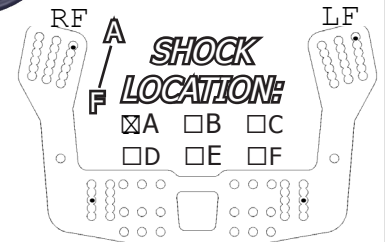
DRIVER: Nathan Dean  
 EVENT: KDOC 2014  
 CLASS: Mod Sprint  
 TRACK: Checkeder Flag, KS

Clay  Hard Packed  Loose Dirt  
 Carpet  Asphalt  Concrete  
 Flat  Banked  True Oval  Tri-Oval  
 Traction:  High  Medium  Low

<b>LEFT</b>	<b>FRONT SUSPENSION</b>	<b>RIGHT</b>
<u>+1/2</u>	<b>CAMBER</b>	<u>-1/2</u>
	<b>CASTOR</b>	
<input type="checkbox"/> +10° <input checked="" type="checkbox"/> +5° <input type="checkbox"/> 0° <input type="checkbox"/> -5° <input type="checkbox"/> -10°		<input checked="" type="checkbox"/> +10° <input type="checkbox"/> +5° <input type="checkbox"/> 0° <input type="checkbox"/> -5° <input type="checkbox"/> -10°
	<b>ACKERMANN</b>	
<input type="checkbox"/> OUTER <input type="checkbox"/> MIDDLE <input checked="" type="checkbox"/> INNER		<input checked="" type="checkbox"/> INNER <input type="checkbox"/> MIDDLE <input type="checkbox"/> OUTER
<u>Full/.125"</u>	<b>AXLE SHIMS</b>	<u>Full/.125"</u>
<b>OUTER CAMBER LINK LOCATION</b>		
<input checked="" type="checkbox"/> OUTER <input type="checkbox"/> INNER		<input type="checkbox"/> INNER <input checked="" type="checkbox"/> OUTER
<input checked="" type="checkbox"/> 0° <input type="checkbox"/> ANGLED	<b>KINGPIN INCLINE</b>	<input type="checkbox"/> ANGLED <input checked="" type="checkbox"/> 0°
<u>.125"</u>	<b>CAMBER RATE SHIMS</b>	<u>.125"</u>
<b>SUSPENSION LOCATION</b>		
<input checked="" type="checkbox"/> OUTER <input type="checkbox"/> MIDDLE <input type="checkbox"/> INNER		<input type="checkbox"/> INNER <input type="checkbox"/> MIDDLE <input checked="" type="checkbox"/> OUTER
<b>KICK-UP:</b> <input type="checkbox"/> 15° LO <input type="checkbox"/> 15° HIGH <input type="checkbox"/> 20° LO <input type="checkbox"/> 20° HIGH <input type="checkbox"/> 25° <input checked="" type="checkbox"/> 35°		
<b>TOE:</b> <u>OUT</u> <b>SWAY BAR:</b> <input checked="" type="checkbox"/> NONE <input type="checkbox"/>		



**SHOCK LOCATION:**  
**ON SUSP ARM:**  
 A  B  C



-SHADE IN MOUNTING LOCATIONS ON SUSPENSION ARMS, BEARING CARRIER AND SHOCK TOWER.

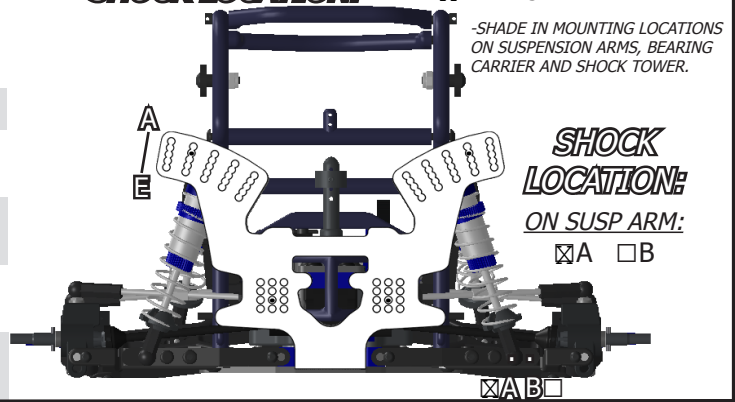
<b>TIRES &amp; TRACTION</b>		
TIRE TYPE: <input type="checkbox"/> FOAM <input type="checkbox"/> STREET RUBBER <input type="checkbox"/> LOOSE		
<u>Scrub</u>	<b>COMPOUND</b>	<u>Stock</u>
<u>Scrub</u>	<b>DIAMETER</b>	<u>"</u>
<u>HB Gigabyte Pink</u>	<b>INSERT</b>	<u>"</u>
<u>HB Gigabyte Pink</u>		<u>"</u>
CLEANED WITH: <u>Water</u>		
TRACTION ADDITIVE: <u>Merkin</u>		
NOTES: <u>Scuffed tires in parking lot</u>		

<b>SHOCKS</b>	
COLLAR LENGTH	SHOCK LENGTH
<b>LEFT FRONT</b>	<b>RIGHT FRONT</b>
<b>BODY LENGTH</b>	<b>BODY LENGTH</b>
<input type="checkbox"/> SHORT <input type="checkbox"/> MED <input checked="" type="checkbox"/> LONG	<input type="checkbox"/> SHORT <input type="checkbox"/> MED <input checked="" type="checkbox"/> LONG
<b>SHAFT LENGTH</b>	<b>SHAFT LENGTH</b>
<input type="checkbox"/> SHORT <input type="checkbox"/> MED <input checked="" type="checkbox"/> LONG	<input type="checkbox"/> SHORT <input type="checkbox"/> MED <input checked="" type="checkbox"/> LONG
SPRING: <u>CW White</u>	SPRING: <u>CW White</u>
OIL: <u>30 Assoc</u>	OIL: <u>30 Assoc</u>
PISTON: <u>M</u>	PISTON: <u>M</u>
LENGTH: _____	LENGTH: _____
COLLAR: _____	COLLAR: _____

<b>LEFT REAR</b>	<b>RIGHT REAR</b>
<b>BODY LENGTH</b>	<b>BODY LENGTH</b>
<input type="checkbox"/> SHORT <input type="checkbox"/> MED <input checked="" type="checkbox"/> LONG	<input type="checkbox"/> SHORT <input type="checkbox"/> MED <input checked="" type="checkbox"/> LONG
<b>SHAFT LENGTH</b>	<b>SHAFT LENGTH</b>
<input type="checkbox"/> SHORT <input type="checkbox"/> MED <input checked="" type="checkbox"/> LONG	<input type="checkbox"/> SHORT <input type="checkbox"/> MED <input checked="" type="checkbox"/> LONG
SPRING: <u>CW Red</u>	SPRING: <u>CW Red</u>
OIL: <u>30 Assoc</u>	OIL: <u>30 Assoc</u>
PISTON: <u>M</u>	PISTON: <u>M</u>
LENGTH: _____	LENGTH: _____
COLLAR: _____	COLLAR: _____

<b>LEFT</b>	<b>REAR SUSPENSION</b>	<b>RIGHT</b>
<u>0</u>	<b>CAMBER</b>	<u>-3.5</u>
<u>-6</u>	<b>TOE</b>	<u>+2</u>
<b>WHEEL SPACERS</b>		
<input type="checkbox"/> .250" <input type="checkbox"/> .125" <input checked="" type="checkbox"/> NONE		<input type="checkbox"/> NONE <input checked="" type="checkbox"/> .125" <input type="checkbox"/> .250"
<b>BEARING CARRIER SPACING</b>		
RIGHT: <input type="checkbox"/> FWD <input type="checkbox"/> 1-OFF FWD <input checked="" type="checkbox"/> MIDDLE <input type="checkbox"/> 1-OFF REAR <input type="checkbox"/> REAR		
LEFT: <input type="checkbox"/> FWD <input type="checkbox"/> 1-OFF FWD <input checked="" type="checkbox"/> MIDDLE <input type="checkbox"/> 1-OFF REAR <input type="checkbox"/> REAR		
<input type="checkbox"/> LONG <input checked="" type="checkbox"/> SHORT	<b>INNER SUSP MOUNT</b>	<input type="checkbox"/> SHORT <input checked="" type="checkbox"/> LONG
<b>ANTI-SQUAT SHIMS</b>		
<input type="checkbox"/> 3° <input checked="" type="checkbox"/> 1.5° <input type="checkbox"/> NONE		<input type="checkbox"/> NONE <input checked="" type="checkbox"/> 1.5° <input type="checkbox"/> 3°
<b>ROLL CENTER SHIMS</b>		
<input type="checkbox"/> .125" <input type="checkbox"/> .060" <input checked="" type="checkbox"/> NONE		<input checked="" type="checkbox"/> NONE <input type="checkbox"/> .060" <input type="checkbox"/> .125"
<b>OUTER CAMBER LINK LOCATION</b>		
<input checked="" type="checkbox"/> OUTER <input type="checkbox"/> INNER		<input type="checkbox"/> INNER <input checked="" type="checkbox"/> OUTER
<b>BEARING CARRIER PIN HEIGHT</b>		
<input type="checkbox"/> HIGH R.C. <input checked="" type="checkbox"/> LOW R.C. (NEAR AXLE) <input checked="" type="checkbox"/> LOW R.C. <input type="checkbox"/> HIGH R.C.		

**SHOCK LOCATION:**  A  B  C  D  E



-SHADE IN MOUNTING LOCATIONS ON SUSPENSION ARMS, BEARING CARRIER AND SHOCK TOWER.

**SHOCK LOCATION:**  
**ON SUSP ARM:**  
 A  B

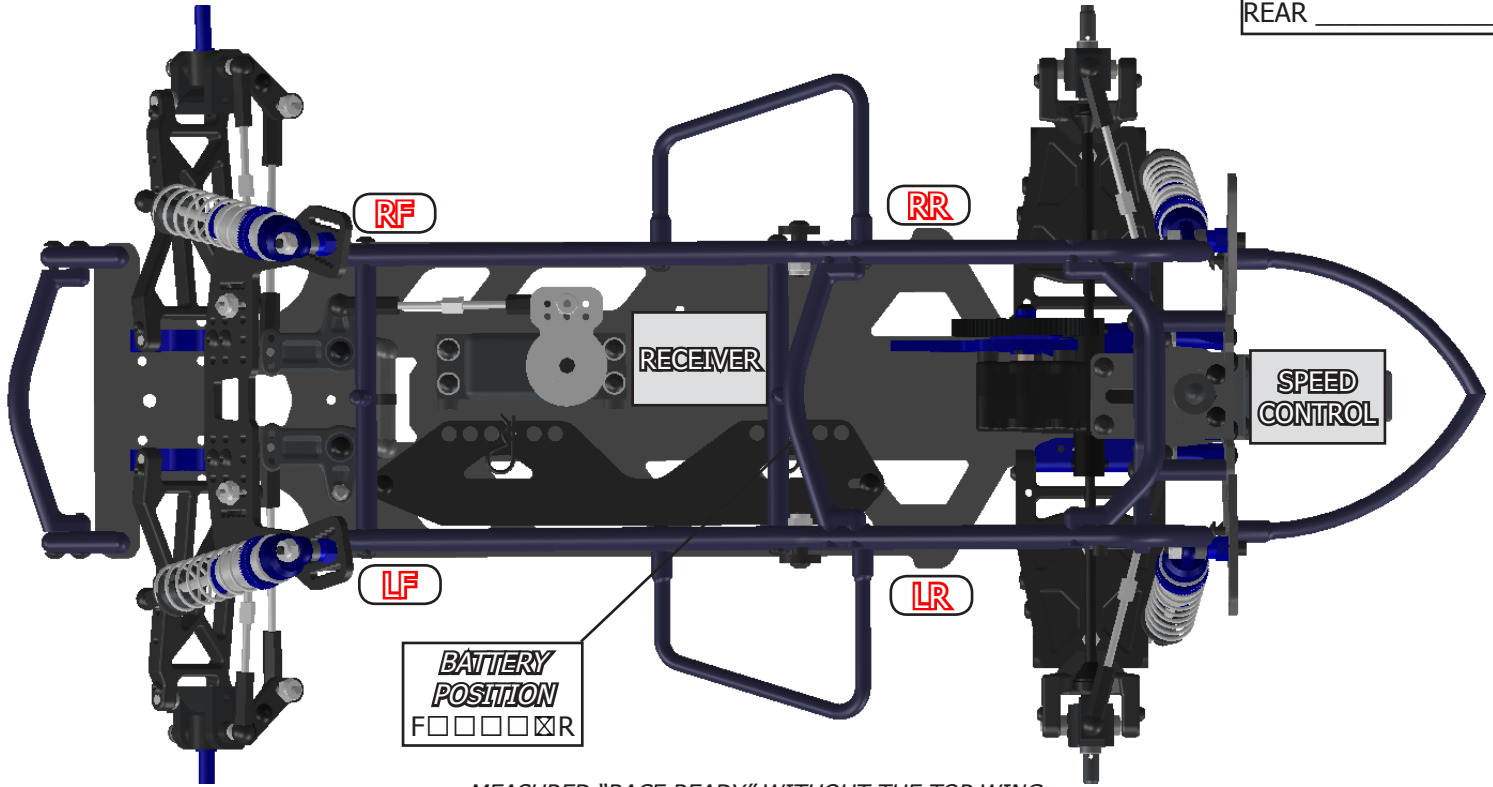


**RECEIVER**  
 AS SHOWN

**SPEED CONTROL**  
 AS SHOWN  
 By Receiver

**TRANNY LOCATION:**  
 FORWARD  
 REAR

**ADDED WEIGHT:**  
 FRONT \_\_\_\_\_  
 MIDDLE \_\_\_\_\_  
 REAR \_\_\_\_\_



-MEASURED "RACE READY" WITHOUT THE TOP WING

<p><b>RISE HEIGHTS BY LOCATION:</b></p> <p>LF: _____ RF: _____</p> <p>LR: _____ RR: _____</p> <p><b>MEASURED FROM:</b>  <input checked="" type="checkbox"/> TOP OF CHASSIS   <input type="checkbox"/> BOTTOM OF CHASSIS</p>	<p><b>CORNER WEIGHTS:</b></p> <p>LF: _____ RF: _____</p> <p>LR: _____ RR: _____</p> <p><b>OVERALL:</b> _____</p>	<p><b>MAX CHASSIS HEIGHT:</b></p> <p>LF: _____ RF: _____</p> <p>LR: _____ RR: _____</p> <p><b>MEASURED FROM:</b>  <input type="checkbox"/> TOP OF CHASSIS   <input type="checkbox"/> BOTTOM OF CHASSIS</p>
<p><b>POWER SETTINGS</b></p> <p>MOTOR: _____</p> <p>AMP DRAW: _____</p> <p>TIMING: _____</p> <p>PINION: 22</p> <p>SPUR: 84</p> <p>SPEED CONTROL: _____  <input type="checkbox"/> "BLINKY"   <input type="checkbox"/> OPEN</p> <p>SETTINGS: _____</p>	<p><b>AERO</b></p> <p><b>MAIN WING</b>  <input type="checkbox"/> 6X6  <input checked="" type="checkbox"/> 7X7</p> <p><b>FRONT WING</b>  <input type="checkbox"/> NONE   <input checked="" type="checkbox"/> SMALL  <input type="checkbox"/> LARGE</p> <p><b>HOOD TYPE</b>  <input type="checkbox"/> TRADITIONAL  <input checked="" type="checkbox"/> SCOOP (HIGH DF)</p>	<p><b>MAIN WING LOCATION</b></p>
<p><b>BATTERY:</b> _____</p> <p><b>MOTOR TEMP AFTER RUN:</b> _____</p>		

**NOTES:**

---



---



---



---



---